

ALINYA SPLASH F52

SPL-F52 - SURFACE MOUNT IP65 LED EXTRUSION

Weatherproof & Elegant



The Alinya Splash range from Vision Lighting takes linear lighting to another level with stylish weatherproof illumination. Incorporating a unique reflector and diffuser system, the Splash provides an even light distribution and efficacy of 148Lm/W.

Constructed to IP65, the Splash incorporates quality Lumileds and Osram LED componentry to achieve a calculated lifetime of L70 >150,000 hours.

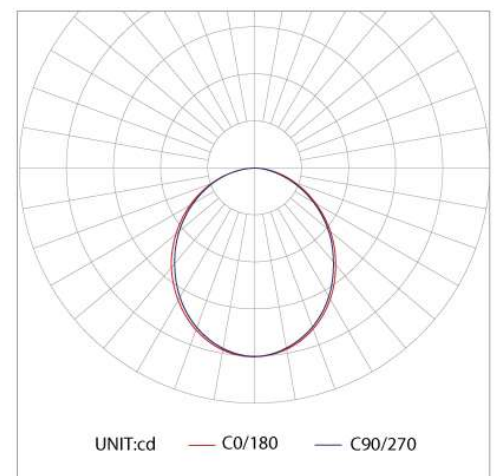
Manufactured in-house by Vision Lighting, the Alinya Splash range is available in custom lengths of up to 3.1m, with an expedient turnaround.

Available complete with mounting accessories, the Splash is ideal for use in damp or dusty environments such as pools, bathrooms and exterior lighting applications. Weight approx. 4.1Kg per metre.



PRODUCT SPECIFICATIONS

Wattage:	10W/m - 32W/m
Lumens:	700 - 2350lm/m
CCT:	3000K / 4000K
Dimming:	DALI available
Material:	Extruded Aluminium
Diffuser:	Opal Polycarbonate
Reflector:	Ultra-white Polycarbonate
Colour:	White / Black / Grey / Anodised
IP Rating:	IP65
Mounting:	Suspended
Lifetime:	L70 >150,000 hrs



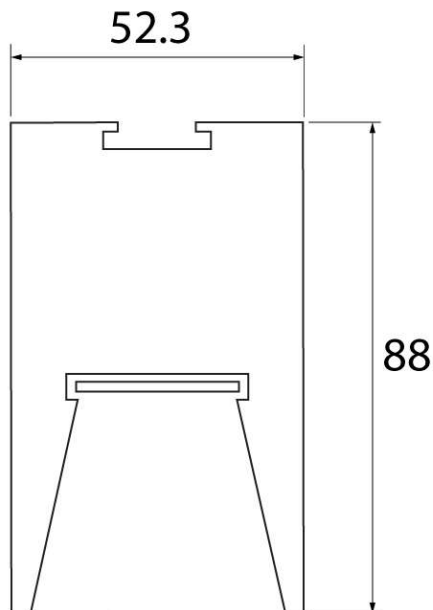
ALINYA SPLASH F52

SPL-F52 - SURFACE MOUNT IP65 LED EXTRUSION

CODING MATRIX

Family	Power	Lm (3K9)	Lm (4K9)	CCT/CRI		Colour		Dimming	
SPL-F52 Surface mount	-10W	802	715	3K9	3000K CRI90	WT	White	(Blank) Non-Dimmable	
	-15W	1227	1094					4K9	4000K CRI90
	-20W	1554	1385						
	-25W	1870	1666						
	-32W	2347	2095						
		<i>(Lumens per metre)</i>							

DIMENSIONAL DIAGRAM



ALINYA SPLASH F52

SPL-F52 - SURFACE MOUNT IP65 LED EXTRUSION

LATCH SPECIFICATIONS

